


Ayyeka Model VS2P

Pressure Sensor



Technical Specifications

Accuracy	±0.5% FS
1-year stability	±0.5% FS
Zero drift	±0.02% FS/°C
Thermal sensitivity shift	±0.02% FS/°C
Signal output	4-20mA, 2-wire
Supply voltage	9-30VDC
Full scale measurement range (zero based)	0.5, 1, 2.5, 5, 10, 20, 50, 100, 200, 300, 400, 500, 600 bar
Full scale measurement range (zero based)	15, 30, 50, 75, 100, 200, 300, 500, 750, 1k, 1.5k, 3k, 5k, 10k psi
Pressure type	Absolute gauge, vented gauge
Overpressure	3 x FS
Burst pressure	5 x FS
Temperature compensation	-20°C to +85°C (-4°F to +185°F)
Process temperature	-40°C to +85°C (-40°F to +185°F)
Storage temperature	-40°C to +85°C (-40°F to +185°F)
Ingress protection	IP68
Sensor housing / enclosure material	17-4 PH SS
Cable material	Polyurethane
Cable length	10 m (33 ft) standard; custom lengths available upon request
Field attachable connector	M12 (absolute) or vented M12 (gauge)
Certifications	CE 

Applications

The Ayyeka VS2P is a compact, cost-effective pressure sensor. The VS2P is suitable for use in pipeline and pressure reducing valves (PRV), machinery, and other demanding industrial processes where accurate and reliable pressure measurement is needed.

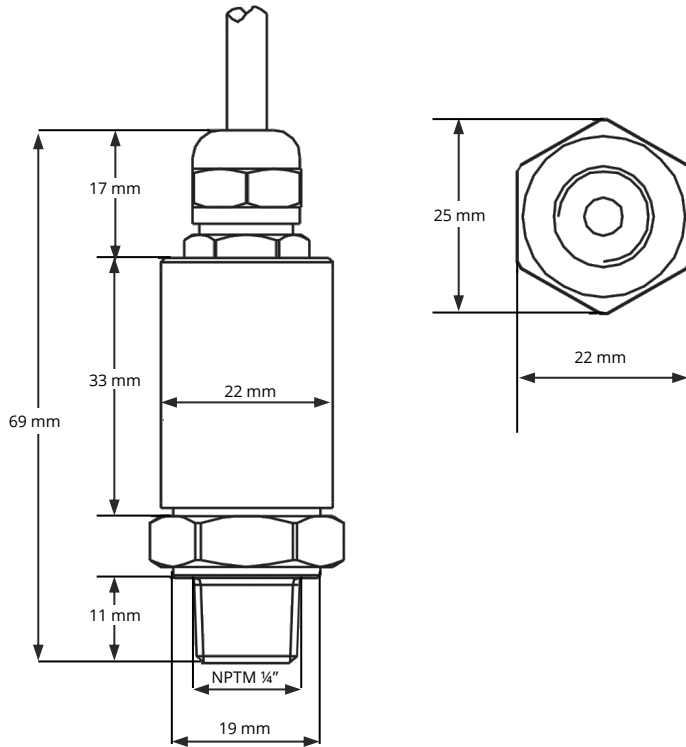
Features

- IP68 protection in case of submersion
- Stainless steel 17-4PH for long-term corrosion resistance in challenging environments
- Measurement range from 0.5 bar up to 600 bar or 15 to 10,000 psi
- Wide process temperature range
- Lightning protection
- Protection against radio frequency and electromagnetic interference

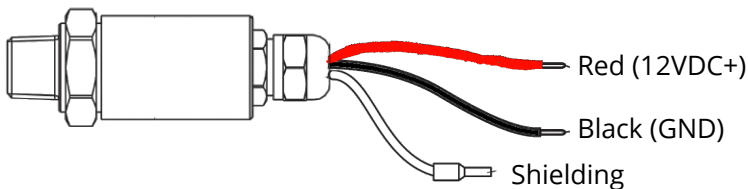
For ordering information contact:

sales@ayyeka.com

Product Dimensions

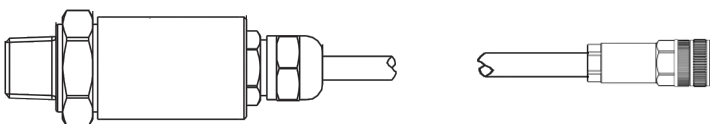


Wiring



Wavelet V2, Wavelet, and Wavelet 4R

M12 8-pin female
field-attachable connector (M12 8F)



Pinout

Wavelet V2 (part # WA1111-xx-V2)

Pin #	Color	Signal
1	Black	4-20mA or 0-24V Input #1
2	N.C.	IO_4 – period, output; dry contact, open drain, 0V or 2.8V (max)
3	N.C.	Wavelet 12V Power Supply #2 (+)
4	Red	Wavelet 12V Power Supply #1 (+)
5	N.C.	4-20mA or 0-24V Input #4
6	N.C.	4-20mA or 0-24V Input #3
7	N.C.	4-20mA or 0-24V Input #2
8	N.C.	GND

Wavelet (part # WA1111-xx)

Pin #	Color	Signal
1	Black	4-20mA or 0-24V Input #1
2	N.C.	GND
3	N.C.	Wavelet 12V Power Supply #2 (+)
4	Red	Wavelet 12V Power Supply #1 (+)
5	N.C.	4-20mA or 0-24V Input #4
6	N.C.	4-20mA or 0-24V Input #3
7	N.C.	4-20mA or 0-24V Input #2
8	N.C.	GND

Wavelet 4R (part # WA4000-xx)

Pin #	Color	Signal
1	Black	4-20mA or 0-24V Input #1
2	N.C.	PCNT_0 – pulse counting, edge, periodic, output; dry contact, open drain, 0V or 2.8V (max)
3	N.C.	RS485 A and RS232 RX
4	Red	Wavelet 12V Power Supply #1 (+)
5	N.C.	RS485 B and RS232 TX
6	N.C.	4-20mA or 0-24V Input #2
7	N.C.	PCNT_1 – pulse counting, edge, periodic, output; dry contact, open drain, 0V or 2.8V (max)
8	N.C.	GND